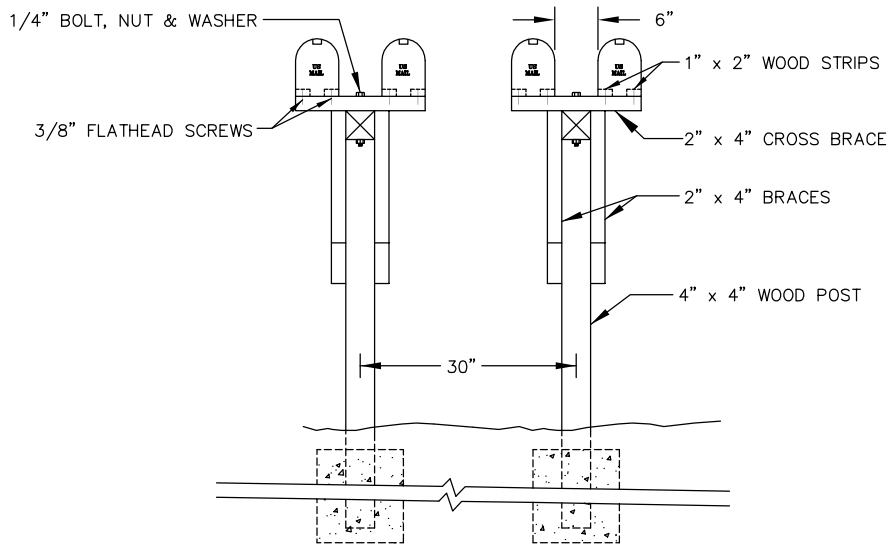


SIDE VIEW



FRONT VIEW

NOTES

1. CANTILEVERED GANG MAILBOXES SHALL CONFORM IN ALL OTHER ASPECTS TO STANDARD 116.
2. EACH STRUCTURE SHALL SUPPORT A MAXIMUM OF TWO MAILBOXES.
3. CANTILEVERED ARM LENGTHS GREATER THAN 5', REQUIRE A PLAN TO BE SUBMITTED TO CBJ ENGINEERING FOR APPROVAL.
4. OTHER DESIGNS MUST BE SUBMITTED TO CBJ ENGINEERING FOR APPROVAL.

SCALE: NTS	DATE: 12/4/96	CITY AND BOROUGH OF JUNEAU, ALASKA	
DRAWN BY: DRW	CHECKED BY: JB/STAFF	CANTILEVERED GANG MAILBOX	
APPROVED BY: 	REVISED: 8/14/2011	STANDARD 117	